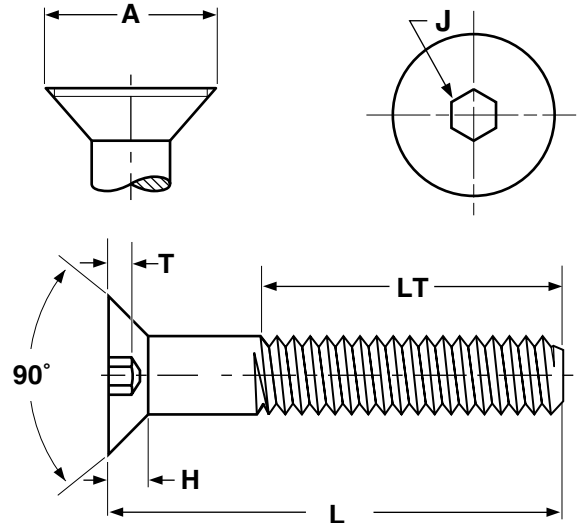




Metric Products

Metric Flat Head
Socket Cap Screws



| Nominal Size | Thread Pitch | B | | A | | H | | J | T | W | D |
|----------------------------|--------------|-------------------------|------|-------------------|---------------|--------------------------------|-----------------|---------------------------------|----------------|----------------|-----------------|
| | | Body Diameter | | Head Diameter | | Head Height | | Hex Socket Size | Key Engagement | Wall Thickness | Drill Allowance |
| | | Max | Min | Theoretical Sharp | Absolute Min. | Ref | Flush Tolerance | Nom | Min | Min | Max |
| M3 | 0.5 | 3.00 | 2.86 | 6.72 | 5.35 | 1.86 | 0.30 | 2.0 | 1.1 | 0.25 | 0.3 |
| M4 | 0.7 | 4.00 | 3.82 | 8.96 | 7.80 | 2.48 | 0.30 | 2.5 | 1.5 | 0.45 | 0.4 |
| M5 | 0.8 | 5.00 | 4.82 | 11.20 | 9.75 | 3.10 | 0.35 | 3.0 | 1.9 | 0.66 | 0.5 |
| M6 | 1 | 6.00 | 5.82 | 13.44 | 11.70 | 3.72 | 0.35 | 4.0 | 2.2 | 0.70 | 0.6 |
| M8 | 1.25 | 8.00 | 7.78 | 17.92 | 15.60 | 4.96 | 0.40 | 5.0 | 3.0 | 1.16 | 0.8 |
| M10 | 1.5 | 10.00 | 9.78 | 22.40 | 19.50 | 6.20 | 0.50 | 6.0 | 3.6 | 1.62 | 0.9 |
| Tolerance on Length | | Up to 16mm, incl.: ±0.3 | | | | Over 16mm to 60mm, incl.: ±0.5 | | Over 60mm to 150mm, incl.: ±0.8 | | | |

ANSI/ASME B18.3.5M

The value-added source for quality bolts, screws, nuts, washers and other industrial fasteners.

3211 West 9th Street, Trainer, PA 19061-5242 TOLL FREE: 1-800-662-7459 LOCAL: 610-485-5700 FAX: 610-485-5877

E-MAIL: sales@coburnmyers.com